

Easiest climb aluminium attic ladder for standard and truss roof.

CUSTOMER PROFILE:

- Customers who have a specific preference for aluminium and who will use the ladder regularly.
- Customers with ceiling heights up to 3.66 metres.

CUSTOMER BENEFITS:

- Wide, deep treads and 60° ladder angle mean safe, easy climbing.
- Choice of opening widths with the same deep treads:
 - A generous 650mm opening for easy access for broad shouldered people.
 - A range of openings for hassle free fitting in houses with a truss roof.
- Heavy duty double spring hinges and spring assisted ladder sections for easy operation.
- Strong, stable 220kg spread load capacity for long life with regular use.
- Handrail is standard for great climbing stability.
- Lacquered ladder sections for long lasting good looks.
- Rubber feet to protect floor.
- Made in Australia.



TECHNICAL SPECIFICATIONS:

Aluminium 220

Model	Cut-out Size* (A/B)	Floor-ceiling(E) (No of treads)	Standout (C)	Foldout (D)
UGA 86	650 x 1370mm	2.6m (10)	1600mm	1700mm
UGA 96	650 x 1370mm	2.9m (12)	1800mm	1950mm
UGA 106	650 x 1540mm	3.2m (13)	1950mm	2100mm
UGA 120	650 x 1690mm	3.66m (13)	2200mm	2280mm
UGA 86 T550	560 x 1370mm	up to 2.6m	1600mm	1700mm
UGA 96 T550	560 x 1370mm	up to 2.9m	1800mm	1950mm
UGA 106 T550	560 x 1540mm	up to 3.2m	1950mm	2100mm
UGA 120 T550	560 x 1690mm	up to 3.66m	2200mm	2280mm

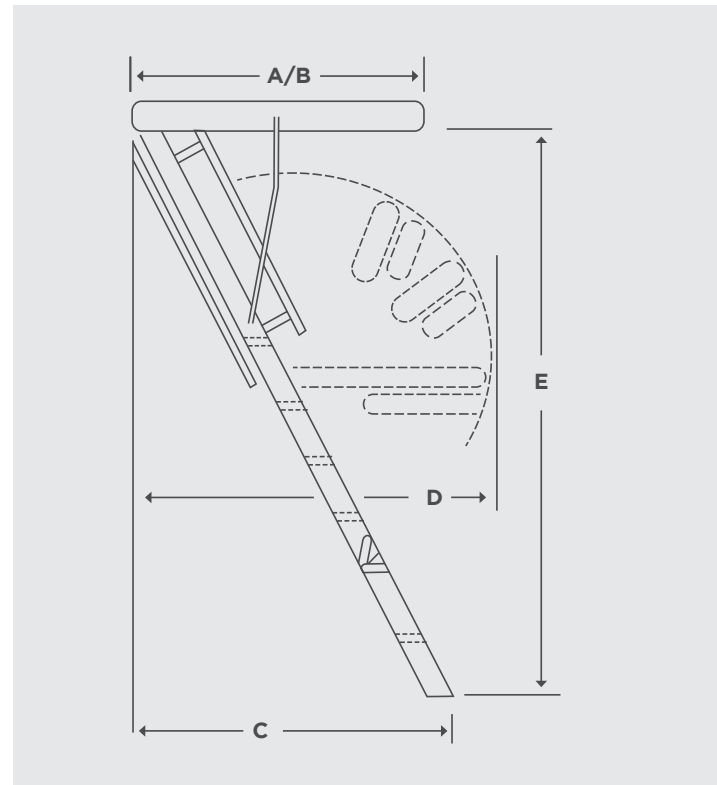
* Frame size is typically 10mm less than the cut-out dimensions stated above

Dimensions

	Tread	Stile	Packed	Casing
Depth	100mm	90mm	1380-1700mm	1370-1680mm
Thickness	34mm	34mm	360mm	116 x 19mm
Width	390mm	-	660mm	635mm
Weight	30-33 kg			
Load capacity	220 kg			

Materials

Tread	Stile	Hatch	Casing
Aluminium	Aluminium	MDF	Hoop Pine



OPTIONAL EXTRAS

Accessory	Application	
Turbine ventilator	Quality Edmonds "Windmaster" turbine ventilators ventilates and controls temperature and moisture	
Turbo beam turbine ventilator	"Turbo Beam" clear turbine ventilator. Keeps your Attic cooler in summer and gives light all year round	
Balustrade	Added security of a rail around your ceiling opening	
Ceiling hand rail	Metal loop handrail in ceiling for extra safety	

FEATURES:

- 📌 Easiest climb aluminium attic ladder.
- 📌 MDF ceiling panel.
- 📌 Heavy duty plated glove-hinges link step sections.
- 📌 Plated adjustable balance springs.
- 📌 Side assist springs on ladder sections.
- 📌 Generous sized ceiling openings.
- 📌 Sizes to reach up to 3.66 metre ceilings.
- 📌 Safety handrail.
- 📌 Available in reduced width sizes to suit other truss roofs.
- 📌 Completely assembled from factory and suitable for DIY by general handy person or professional installation by Attic Group tradespeople.

Ask about our dust proof room package deals.

SYDNEY Heritage Business Park 1/5-9 Ricketty Street, Mascot NSW 2020 | P: 02 9018 0000 | E: syd@atticgroup.com.au

MELBOURNE 1269 North Road, Oakleigh VIC 3166 | P: 03 9575 3700 | E: melb@atticgroup.com.au

ADELAIDE 671 Marion Road, Ascot Park SA 5043 | P: 08 8177 0054 | E: adel@atticgroup.com.au