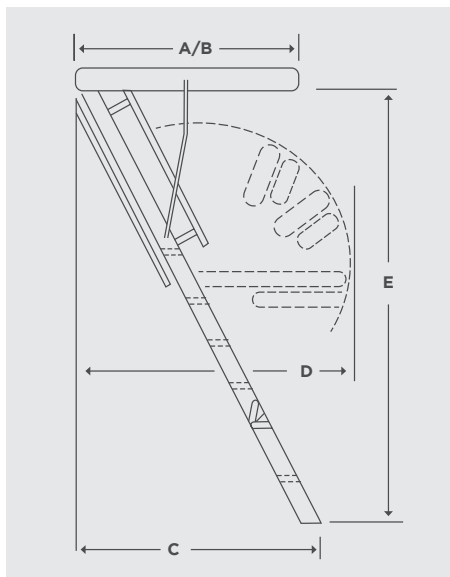


### Light alloy ladder with concertina folding action.

No frame or hatch supplied with this model.

#### FEATURES AND BENEFITS:

- Standard up to 3.29m floor to floor.
- Heavy duty construction in lightweight alloy.
- Safety telescopic handrail.
- Alloy or plated metal parts.
- Wide, safety grooved stepreads.
- Oversized springs to guarantee long life.
- Gentle 65° access slope.
- Short Standout & foldout means application in restricted space.
- Completely assembled from factory.
- Handrail can be fitted to either side.
- Installation: DIY by general handy person or professional installation by Attic Ladders tradespeople.



#### Available with Vertical Adaptor

Adaptor allows for the Junior Columbus to be used in a vertical position through a wall or existing doorway in wall.



#### Dimensions

Model	Opening (A/B)	Floor / floor (E)	Standout (C)	Foldout (D)
JUNIOR 9	520 x 620mm	Up to 2.49m	1100 - 1150mm	1100
JUNIOR 10	520 x 670mm	Up to 2.79m	1150 - 1650mm	1200
JUNIOR 11	520 x 700mm	Up to 3.09m	1250 - 1700mm	1300
JUNIOR 12	520 x 700mm	Up to 3.29m	1300 - 1750mm	1400
VERTICAL ADAPTOR	520 x 700mm	All models	As Above	1800

#### Ask about our dust proof room package deals.

**SYDNEY** Heritage Business Park 1/5-9 Ricketty Street, Mascot NSW 2020 | P: 02 9018 0000 | E: syd@atticgroup.com.au

**MELBOURNE** 1269 North Road, Oakleigh VIC 3166 | P: 03 9575 3700 | E: melb@atticgroup.com.au

**ADELAIDE** 671 Marion Road, Ascot Park SA 5043 | P: 08 8177 0054 | E: adel@atticgroup.com.au