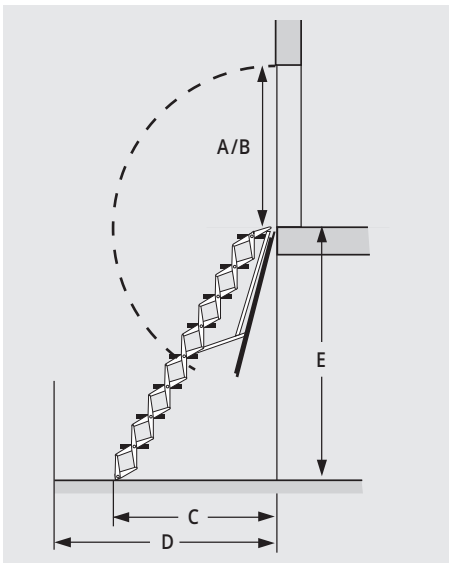


Heavy duty concertina ladder in alloy for use in wall opening.

- European made Concertina Ladder designed to reach rooms with an elevated wall opening where a maximum clearance from the floor is 3.39m.
- 200kg per tread resilience and constructed of all alloy and plated parts for strength, durability and reliability.

FEATURES AND BENEFITS:

- Standard up to 3.39m ceiling height.
- Heavy duty construction in lightweight alloy.
- Short standout & foldout means application in restricted space.
- Gentle 65° access slope.
- 200kg per tread resilience or 450kg/m² of the overall structure.
- Width (Treads): 360mm; Depth (Treads): 140mm; Thickness (Treads): 26mm.
- Handrail is standard for climbing stability.
- Completely assembled from factory.



Dimensions - ALUV320

Frame size	Opening (A/B)	Floor / Floor (E)	Standout (C)	Foldout (D)
685x1185mm	700x1200mm	Up to 3.39m	1750mm	2000mm

Ask about our dust proof room package deals.

SYDNEY Heritage Business Park 1/5-9 Ricketty Street, Mascot NSW 2020 | P: 02 9018 0000 | E: syd@atticgroup.com.au

MELBOURNE 1269 North Road, Oakleigh VIC 3166 | P: 03 9575 3700 | E: melb@atticgroup.com.au

ADELAIDE 671 Marion Road, Ascot Park SA 5043 | P: 08 8177 0054 | E: adel@atticgroup.com.au