

Economical 3-section folding ladder for in standard / truss roofs.

CUSTOMER PROFILE:

- Suits customers who will use the ladder occasionally.
- Suits DIY installation where the customers want an economy quality ladder.
- For ceiling heights up to 2.87 metres.
- Suits customers where sound or thermal insulation may be an issue.

CUSTOMER BENEFITS:

- Strong, stable 150 kg per step load capacity.
- 70° angle and minimal standout - fits in tight spaces.
- Has a specially developed height adjustment system, delivered with a wooden push/pull rod for easy operation.
- White faced trapdoor/hatch cover - includes rubber draught excluder to prevent loss of heat and draught with 30 mm insulation rating.
- Non-slip treads and has plastic feet included for extra security.
- Tread dimensions: D82mm x T28mm x W358m.
- Made of solid spruce for strength and durability.
- Completely assembled and ready to install.
- Red safety handle included.
- Two opening sizes available.



TECHNICAL SPECIFICATIONS:

Euro ladder

Model	Cut-out Size* (A/B)	Floor-ceiling(E) (No of treads)	Standout (C)	Foldout (D)
Euro	700 x 1200mm	2.87m	1160mm	1590mm
Euro T	550 x 1150mm	2.87m	1160mm	1580mm

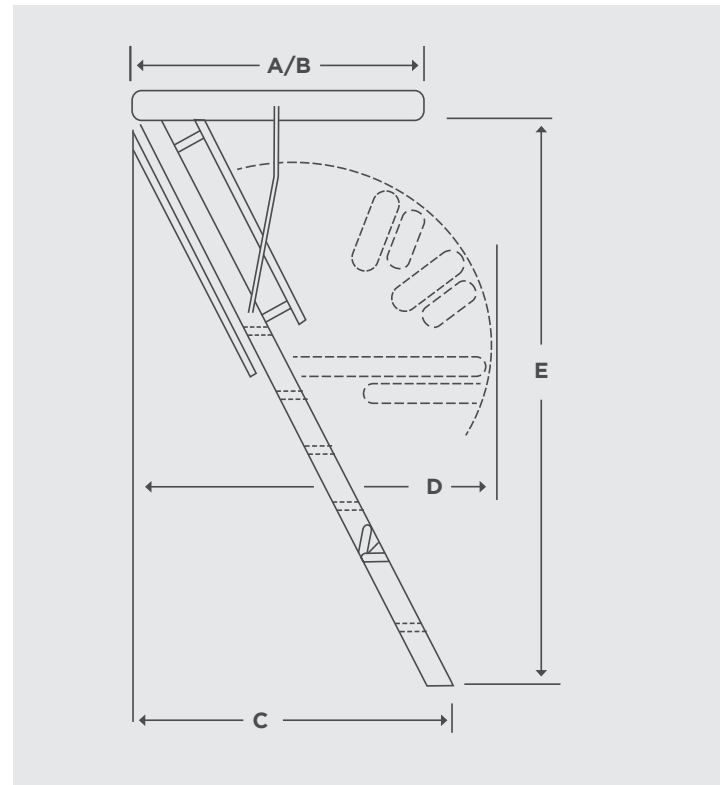
* Frame size is typically 10mm less than the cut-out dimensions stated above

Dimensions

	Tread
Depth	82mm
Thickness	28mm
Width	358mm
Load capacity	150 kg

Materials

Tread	Stile	Hatch	Casing
Spruce	Wood	Timber & melamine	Spruce



OPTIONAL EXTRAS

Accessory	Application	
Turbine ventilator	Quality Edmonds "Windmaster" turbine ventilators ventilates and controls temperature and moisture	
Turbo beam turbine ventilator	"Turbo Beam" clear turbine ventilator. Keeps your Attic cooler in summer and gives light all year round	
Balustrade	Added security of a rail around your ceiling opening	
Ceiling hand rail	Metal loop handrail in ceiling for extra safety	

FEATURES:

- Constructed from kiln-dried spruce timber.
- Models available for both standard and truss roofs.
- Tested according to EN 14975 (European Ladder Standard): test load 265kg – max. working load 150kg.
- 550mm opening for truss roofs and 700mm for standard roofs allows easy access.
- 30mm thermally insulated trapdoor to reduce heat loss and sound transmission.
- Red safety handrail included.
- Suitable for DIY by general handy person or professional installation by Attic Group tradespeople.

Ask about our dust proof room package deals.

SYDNEY Heritage Business Park 1/5-9 Ricketty Street, Mascot NSW 2020 | P: 02 9018 0000 | E: syd@atticgroup.com.au

MELBOURNE 1269 North Road, Oakleigh VIC 3166 | P: 03 9575 3700 | E: melb@atticgroup.com.au

ADELAIDE 671 Marion Road, Ascot Park SA 5043 | P: 08 8177 0054 | E: adel@atticgroup.com.au