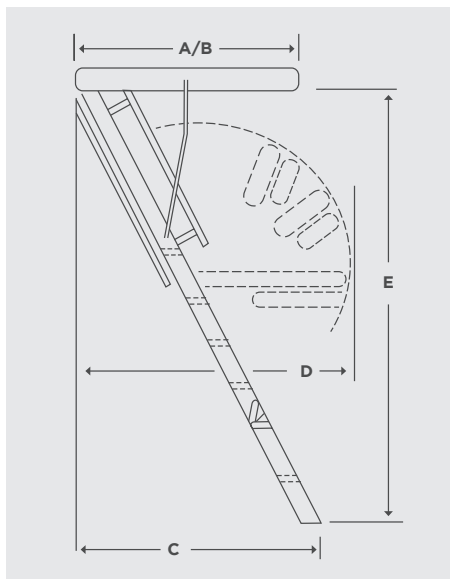


Very high-quality crafted attic ladder for DIY installation.

For ceiling heights up to 3.36m.

FEATURES AND BENEFITS:

- Produced according to EN 14975 (European Ladder Standard) and air tight class 4 according to EN 12207.
- 3-section folding spruce wood Attic Ladder.
- Top insulation value (U-value 0.90W/m²) - 56mm insulated trapdoor reduces heat loss.
- Strong, stable 150kg per step load capacity.
- Gentle 70° access slope.
- Nice finish with white-faced trapdoor and casing with draught excluder for extra tight closing.
- Width (Treads): 358mm; Depth (Treads): 82mm; Thickness (Treads): 28mm.
- Non-slip treads for extra security and plastic feet.
- Handrail is standard for climbing stability.
- Completely assembled from factory.



Customer profile:

Excellent choice for Customers who are looking for a well-suited Attic Ladder with an excellent insulation value for low to non-developed attics or a rarely used roof space.

Dimensions - Euro Plus

Frame size	Opening (A/B)	Floor / ceiling (E)	Standout (C)	Foldout (D)
676x1375mm	700x1400mm	Up to 3.36m	1205mm	1853mm



Ask about our dust proof room package deals.

SYDNEY Heritage Business Park 1/5-9 Ricketty Street, Mascot NSW 2020 | P: 02 9018 0000 | E: syd@atticgroup.com.au

MELBOURNE 1269 North Road, Oakleigh VIC 3166 | P: 03 9575 3700 | E: melb@atticgroup.com.au

ADELAIDE 671 Marion Road, Ascot Park SA 5043 | P: 08 8177 0054 | E: adel@atticgroup.com.au