

Mid-range quality ladder for standard / truss roofs available in nordic pine.

CUSTOMER PROFILE:

- Suits customers who will use the ladder occasionally and who want a mid-range ladder for ceilings up to 3.05 metres.
- Models available for both standard and truss roofs.
- Suits DIY installation as it does not require any pre-installation assembly.

CUSTOMER BENEFITS:

- Opening for truss and standard roofs allows easy access.
- Made from Nordic Pine for strength and durability.
- Stable 160kg rated load capacity with dovetail joints for added strength.
- A red safety handle and grooved anti-slip treads for confident climbing.
- Pre-finished white trapdoor spring-hinged and balanced for effortless opening.
- Plastic feet reduce scratching on floors.
- Thermally insulated trapdoor with a special seal to prevent dust from entering the home.
- Thermally insulated trapdoor reduces heat loss and sound transmission.
- Comes assembled, ready to install and with full instructions making home installation trouble-free.



TECHNICAL SPECIFICATIONS:

Performance – for normal (STD) / truss (T) roof applications

Model	Cut-out Size* (A/B)	Floor-ceiling (E) (No of treads)	Standout (C)	Foldout (D)
LWK (T) 280	550 x 110mm	2.8m	1130mm	1530mm
LWK (STD) 280	700 x 1200mm	2.8m	1200mm	1560mm
LWK (STD) 305	700 x 1300mm	3.05m	1350mm	1750mm

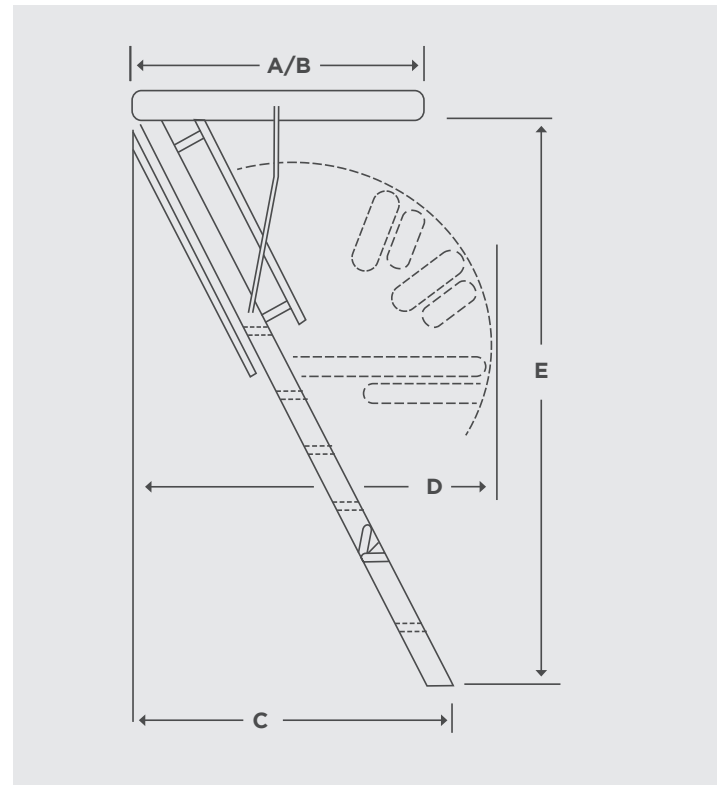
* Frame size is typically 10mm less than the cut-out dimensions stated above

Dimensions





	Tread	Stile	Packed
Depth	80mm	40mm	115/1380mm
Thickness	20mm	20mm	565/685mm
Width	340mm	-	270mm
Load capacity	160 kg spread load		

Materials

Tread	Stile	Hatch	Casing
Nordic Pine	Nordic Pine	Melamine	Melamine



OPTIONAL EXTRAS

Accessory	Application	
Turbine ventilator	Quality Edmonds "Windmaster" turbine ventilators ventilates and controls temperature and moisture	
Turbo beam turbine ventilator	"Turbo Beam" clear turbine ventilator. Keeps your Attic cooler in summer and gives light all year round	
Balustrade	Added security of a rail around your ceiling opening	
Ceiling hand rail	Metal loop handrail in ceiling for extra safety	

FEATURES:

- Constructed from premium Nordic Pine.
- Grooved anti-slip treads.
- Thermally insulated trapdoor.
- Red safety handrail.
- Pre-finished spring-hinged white trapdoor.
- Suitable for DIY by general handy person or professional installation by Attic Group tradespeople.

Ask about our dust proof room package deals.

SYDNEY Heritage Business Park 1/5-9 Ricketty Street, Mascot NSW 2020 | P: 02 9018 0000 | E: syd@atticgroup.com.au

MELBOURNE 1269 North Road, Oakleigh VIC 3166 | P: 03 9575 3700 | E: melb@atticgroup.com.au

ADELAIDE 671 Marion Road, Ascot Park SA 5043 | P: 08 8177 0054 | E: adel@atticgroup.com.au