

Premium timber 3-section folding ladder for use in standard/truss roofs.

CUSTOMER PROFILE:

- Suits customers who will use the ladder regularly and who want an easily operated ladder.
- Suits customers who have maximum height ceilings.
- Timber ladders suit customers who want a “furniture grade ladder” and who prefer to install the ladder in the interior of their home.

CUSTOMER BENEFITS:

- Wide, deep treads and 60° ladder angle mean safe, easy climbing.
- Choice of opening widths with the same deep treads:
 - A generous 650mm opening for easy access for broad shouldered people.
 - A range of openings for hassle free fitting in houses with a truss roof.
- Hand crafted in Australia from premium Australian hoop pine giving good looks and reliability.
- Heavy duty double spring hinges and spring assisted ladder sections for easy operation.
- Strong, stable 220kg spread load capacity for long life with regular use.
- Handrail is standard for great climbing stability.
- Lacquered ladder sections for long lasting good looks.
- Rubber feet to protect floor.
- Made in Australia.

**AVAILABLE IN
ALUMINIUM**



TECHNICAL SPECIFICATIONS:

Upgrade

Model	Cut-out Size* (A/B)	Floor-ceiling(E) (No of treads)	Standout (C)	Foldout (D)
UGT 86	650 x 1370mm	2.6m (10)	1600mm	1700mm
UGT 96	650 x 1370mm	2.9m (12)	1800mm	1950mm
UGT 106	650 x 1540mm	3.2m (13)	1950mm	2100mm
UGT 120	650 x 1690mm	3.66m (13)	2200mm	2280mm
UGT 86 T550	560 x 1370mm	up to 2.6m	1600mm	1700mm
UGT 96 T550	560 x 1370mm	up to 2.9m	1800mm	1950mm
UGT 106 T550	560 x 1540mm	up to 3.2m	1950mm	2100mm
UGT 120 T550	560 x 1690mm	up to 3.66m	2200mm	2280mm

* Frame size is typically 10mm less than the cut-out dimensions stated above





Dimensions

	Tread	Stile	Packed	Casing
Depth	107mm	94mm	1380-1700mm	1360-1680mm
Thickness	19mm	19mm	360mm	116 x 19mm
Width	410mm	325mm	650mm	635mm
Weight	31-39 kg			
Load capacity	220 kg			

Materials

Tread	Stile	Hatch	Casing
Hoop Pine	Hoop Pine	MDF	Hoop Pine

OPTIONAL EXTRAS

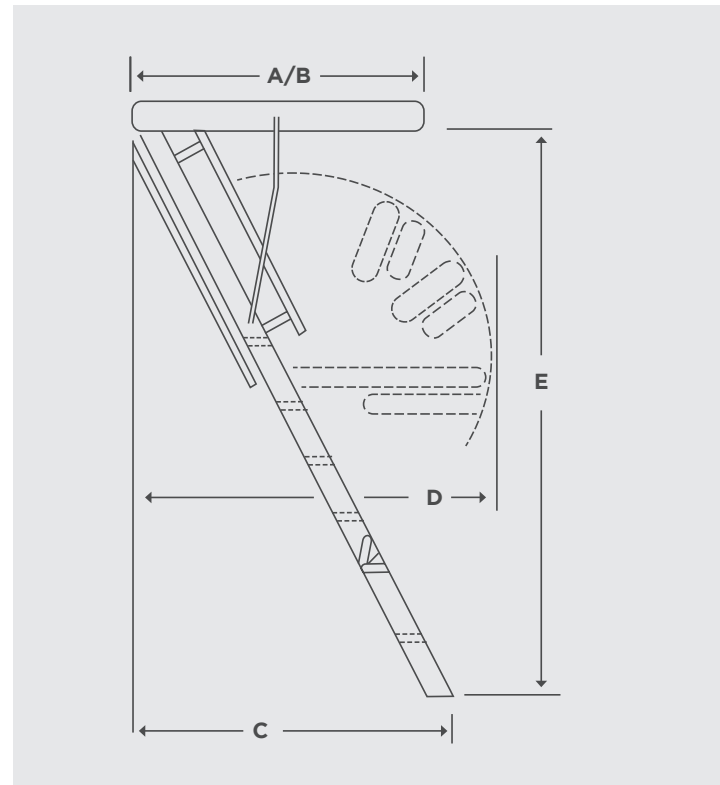
Accessory	Application	
Turbine ventilator	Quality Edmonds "Windmaster" turbine ventilators ventilates and controls temperature and moisture	
Turbo beam turbine ventilator	"Turbo Beam" clear turbine ventilator. Keeps your Attic cooler in summer and gives light all year round	
Balustrade	Added security of a rail around your ceiling opening	
Ceiling hand rail	Metal loop handrail in ceiling for extra safety	

Ask about our dust proof room package deals.

SYDNEY Heritage Business Park 1/5-9 Ricketty Street, Mascot NSW 2020 | P: 02 9018 0000 | E: syd@atticgroup.com.au

MELBOURNE 1269 North Road, Oakleigh VIC 3166 | P: 03 9575 3700 | E: melb@atticgroup.com.au

ADELAIDE 671 Marion Road, Ascot Park SA 5043 | P: 08 8177 0054 | E: adel@atticgroup.com.au



FEATURES:

- Constructed from superior fine-grained plantation grown Australian Hoop Pine timbers.
- Side rails morticed, step treads grooved, glued and screwed. All ladder sections lacquered.
- MDF ceiling panel.
- Heavy duty plated glove-hinges link step sections.
- Plated balance springs.
- Side assist springs on ladder sections.
- Generous sized ceiling openings.
- Sizes to reach up to 3.66 metre ceilings.
- Safety handrail.
- Available in reduced width sizes to suit other truss roofs.
- Completely assembled from factory and suitable for DIY by general handy person or professional installation by Attic Group tradespeople.